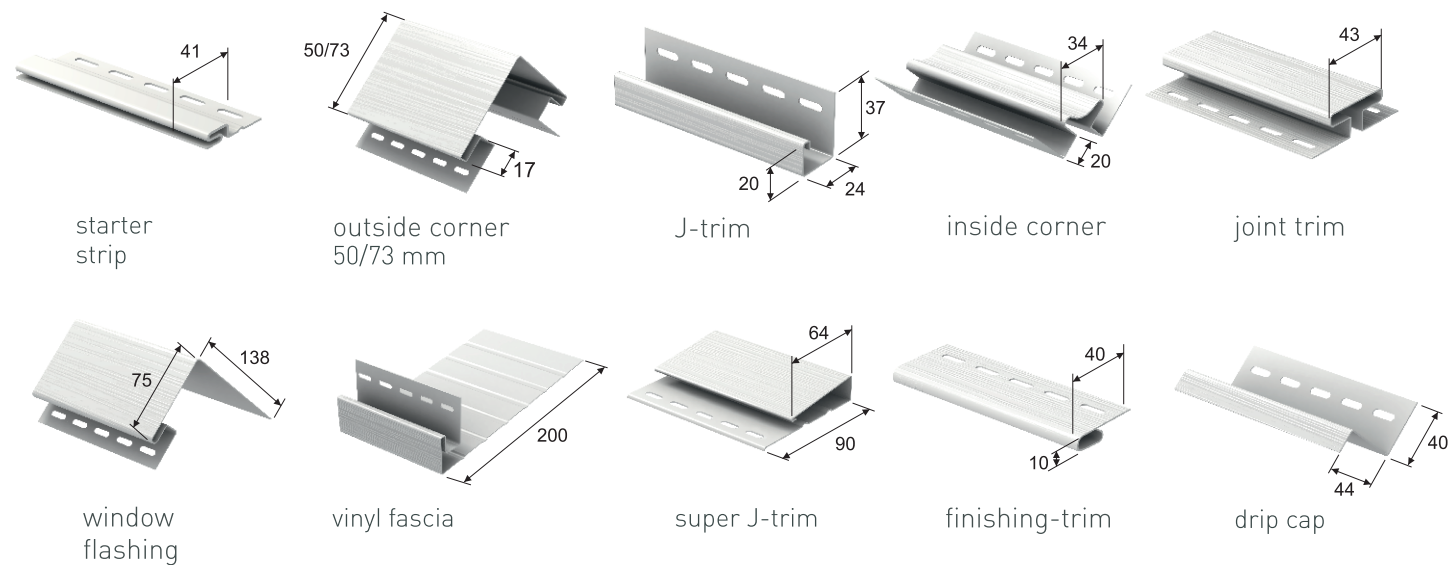


# ACCESSORIES



\* length of each slat is 3050 mm

	arch	schist	stone	brick	cedar	spruce	oak	ash	ship plank
starter strip									•
outside corner 73 mm	•	•	•	•	•		•	•	•
outside corner 50 mm					•	•			
J-trim	•	•	•	•	•	•	•	•	•
inside corner	•	•	•	•	•	•	•	•	•
joint trim					•	•	•	•	•
window flashing					•	•	•	•	•
vinyl fascia					•	•	•		
super J-trim									•
finishing-trim					•	•	•	•	•
drip cap									•



BEAUTY IN SIMPLICITY



[www.instagram.com/uplast\\_bel](https://www.instagram.com/uplast_bel)



[youtube.com/Ю-Пласт\\_Завод](https://youtube.com/Ю-Пласт_Завод)

LLC «U-Plast Bel»  
 Republic of Belarus, 220030  
 Minsk, Kazarmenny lane, house 4  
[u-plast.net](http://u-plast.net)

Tel. / fax: +375 17 / 242-92-20  
 +375 17 / 242-92-21



NEW GENERATION SIDING



# Hokla

## FACADE PANELS

NEW



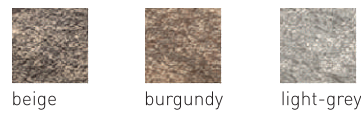
Length	2000 mm	Gross weight	17 kg
Effective width	250 mm	Amount in package	15 pcs
Thickness	1,2±0,05 mm	Quadrature in one package	7,5 m <sup>2</sup>
Package size	2250x290x95 mm	Quadrature of one plate	0,5 m <sup>2</sup>



# STONE HOUSE

## FACADE PANELS

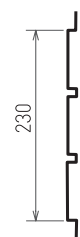
NEW



Length	2000 mm	Gross weight	17 kg
Effective width	225 mm	Amount in package	15 pcs
Thickness	1,2±0,05 mm	Quadrature in one package	6,75 m <sup>2</sup>
Package size	2130x280x120 mm	Quadrature of one plate	0,45 m <sup>2</sup>



Length	3025 mm	Gross weight	22,88 kg
Effective width	225 mm	Amount in package	15 pcs
Thickness	1,2±0,05 mm	Quadrature in one package	10,2 m <sup>2</sup>
Package size	3190x280x80 mm	Quadrature of one plate	0,68 m <sup>2</sup>

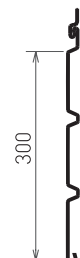


Length	3025 mm	Gross weight	16,84 kg
Effective width	230 mm	Amount in package	10 pcs
Thickness	1,2±0,05 mm	Quadrature in one package	6,95 m <sup>2</sup>
Package size	3190x280x105 mm	Quadrature of one plate	0,695 m <sup>2</sup>



# CLASSIC

## SOFFITS



Length	3000 mm	Gross weight	18,18 kg
Effective width	300 mm	Amount in package	10 pcs
Thickness	0,95±0,1 mm	Quadrature in one package	9 m <sup>2</sup>
Package size	3020x350x60 mm	Quadrature of one plate	0,9 m <sup>2</sup>

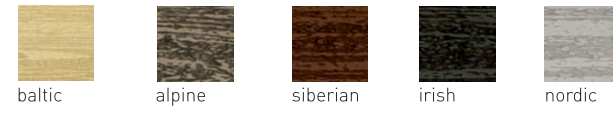
○ without perforation   ● with partial perforation   ● with perforation

# timberblock

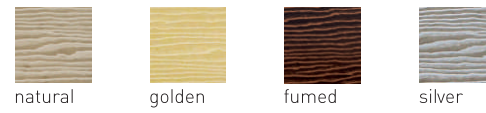
## SIDING



Length	3050 mm	Gross weight	14,46 kg
Effective width	230 mm	Amount in package	10 pcs
Thickness	1±0,05 mm	Quadrature in one package	7,02 m <sup>2</sup>
Package size	3080x270x70 mm	Quadrature of one plate	0,702 m <sup>2</sup>



Length	3050 mm	Gross weight	14,88 kg
Effective width	230 mm	Amount in package	10 pcs
Thickness	1±0,05 mm	Quadrature in one package	7,02 m <sup>2</sup>
Package size	3080x290x70 mm	Quadrature of one plate	0,702 m <sup>2</sup>



Length	3400 mm	Gross weight	16,11 kg
Effective width	230 mm	Amount in package	10 pcs
Thickness	1±0,05 mm	Quadrature in one package	7,82 m <sup>2</sup>
Package size	3420x280x65 mm	Quadrature of one plate	0,782 m <sup>2</sup>



Length	3400 mm	Gross weight	16,11 kg
Effective width	230 mm	Amount in package	10 pcs
Thickness	1±0,05 mm	Quadrature in one package	7,82 m <sup>2</sup>
Package size	3420x280x65 mm	Quadrature of one plate	0,782 m <sup>2</sup>

# timberblock

## SOFFITS



Length	3400 mm	Gross weight	16,03 kg
Effective width	230 mm	Amount in package	10 pcs
Thickness	0,95±0,1 mm	Quadrature in one package	7,82 m <sup>2</sup>
Package size	3425x270x65 mm	Quadrature of one plate	0,782 m <sup>2</sup>

○ without perforation   ● with partial perforation   ● with perforation